

	operation when directly connected to chimney	operation when connected accumulation mass	
Energy label	A	A	A
Operating data			
Nominal heat power	10,5 kW	----	----
Efficiency	> 80 %	----	----
Consumption of wood	3,1 kg/h	4,5 kg	3,15 kg
Total heat output of the burning chamber	----	18 kW	13 kW
Mass flow of flue gas	8,8 g/s	15 g/s	12 g/s
Required chimney pressure	12 Pa	12 Pa	15 Pa
Required amount of combustion air	30 m ³ /h	45 m ³ /h	35 m ³ /h
Average flue gas temperature			
on the output	315 °C	359 °C	324 °C
past 2,4 m of ceramic accumulation system KMS 300 ¹	----	224 °C	----
past S-accumulation rings (5x S-acc. ring Ø345mm)	----	----	231 °C
Heat distribution			
fireplace insert	49 %	35 %	35 %
door glass (single / double)	51 / 0 %	51 / 0 %	51 / 0 %
adjoining accumulation mass	----	14 %	14 %
Information for ventilated builds			
Minimal grill area supply / outgoing	700 / 850 cm ²	700 / 850 cm ²	700 / 850 cm ²
Minimum distance from insulated areas / floor	50 / 0 mm	50 / 0 mm	
Reference insulation ² ceiling / back wall / side wall / floor	120 / 80 / 0 / 0 mm	120 / 80 / 0 / 0 mm	
Calciumsilicate insulation ³ ceiling / back wall / side wall / floor	80 / 60 / 0 / 0 mm	80 / 60 / 0 / 0 mm	
Information for non-ventilated builds (closed grills)			
Minimum radiant area ⁴	4,5 m ²	4,5 m ²	
Minimum distance from insulated areas / floor	50 / 20 mm	50 / 20 mm	
Reference insulation ² ceiling / back wall / side wall / floor	160 / 100 / 0 / 20 mm	160 / 100 / 0 / 20 mm	
Calciumsilicate insulation ³ ceiling / back wall / side wall / floor	120 / 75 / 0 / 20 mm	120 / 75 / 0 / 20 mm	
General technical information			
Total weight / lining weight	ca. 277 / 69 kg	ca. 277 / 69 kg	
Burning chamber dimensions (width x depth)	520 x 305 mm		
Combustion air connection	Ø 150 mm		
Use in non-ventilated accumulation builds according to craft rules	suitable		
Tested according to	EN 13229		
Meets values	1. BImSchV (Stufe2), 15a BvG, NS 3059		

1 Listed value from testing. For accurate results is evaluation of each system in the Ortner / KOV program necessary.

2 Mineral wool according to AGI-Q 132

3 Example SkamoEnclosure Board 225 kg/m³

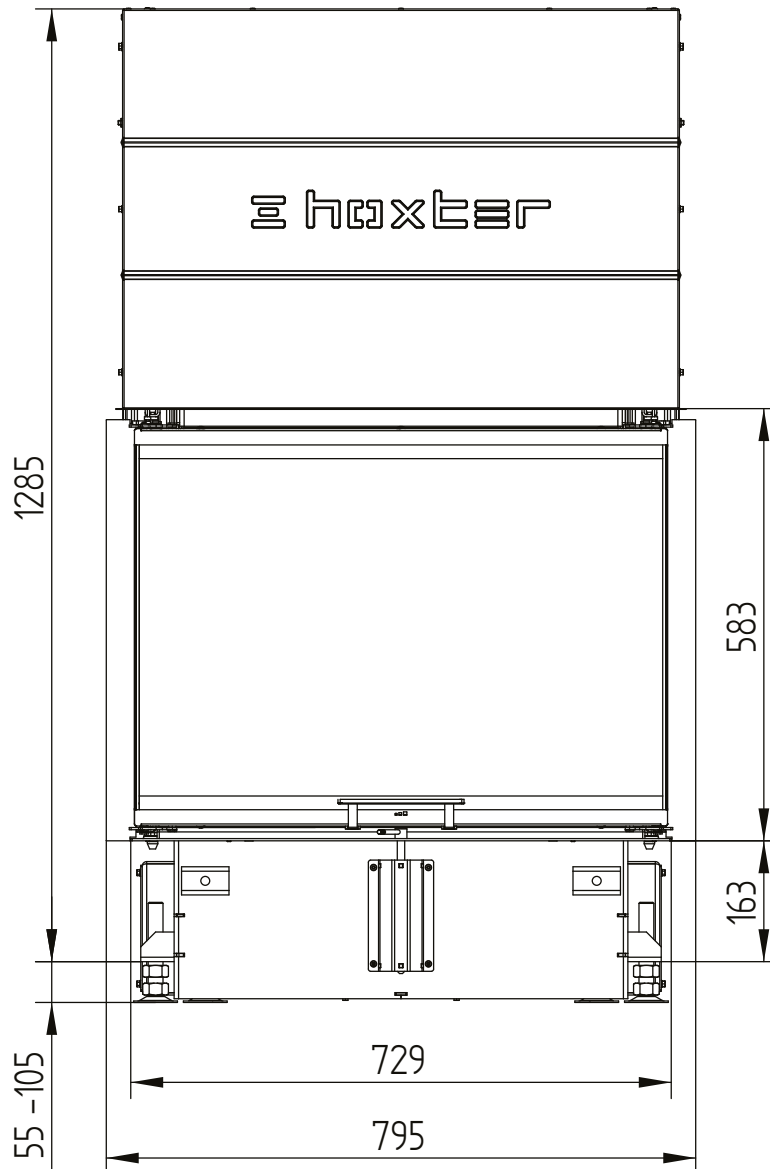
4 Depends on accumulation period and material characteristics. Listed values calculated with chamotte stone thickness 30 mm with radiant area 500 W/m²

UKA 37/75/37/57

Technical data
Version 2019/08

air connection / feet

M 1:10

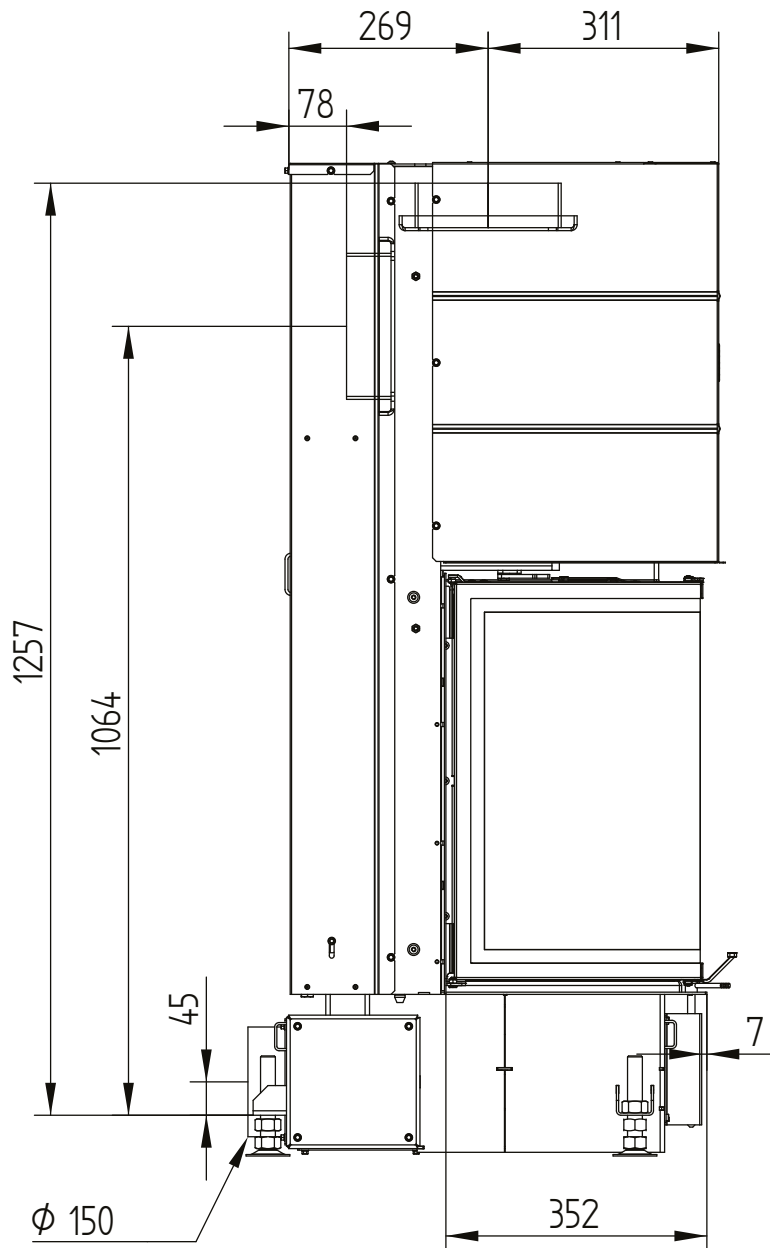


UKA 37/75/37/57

Technical data
Version 2019/08

air connection / feet

M 1:10

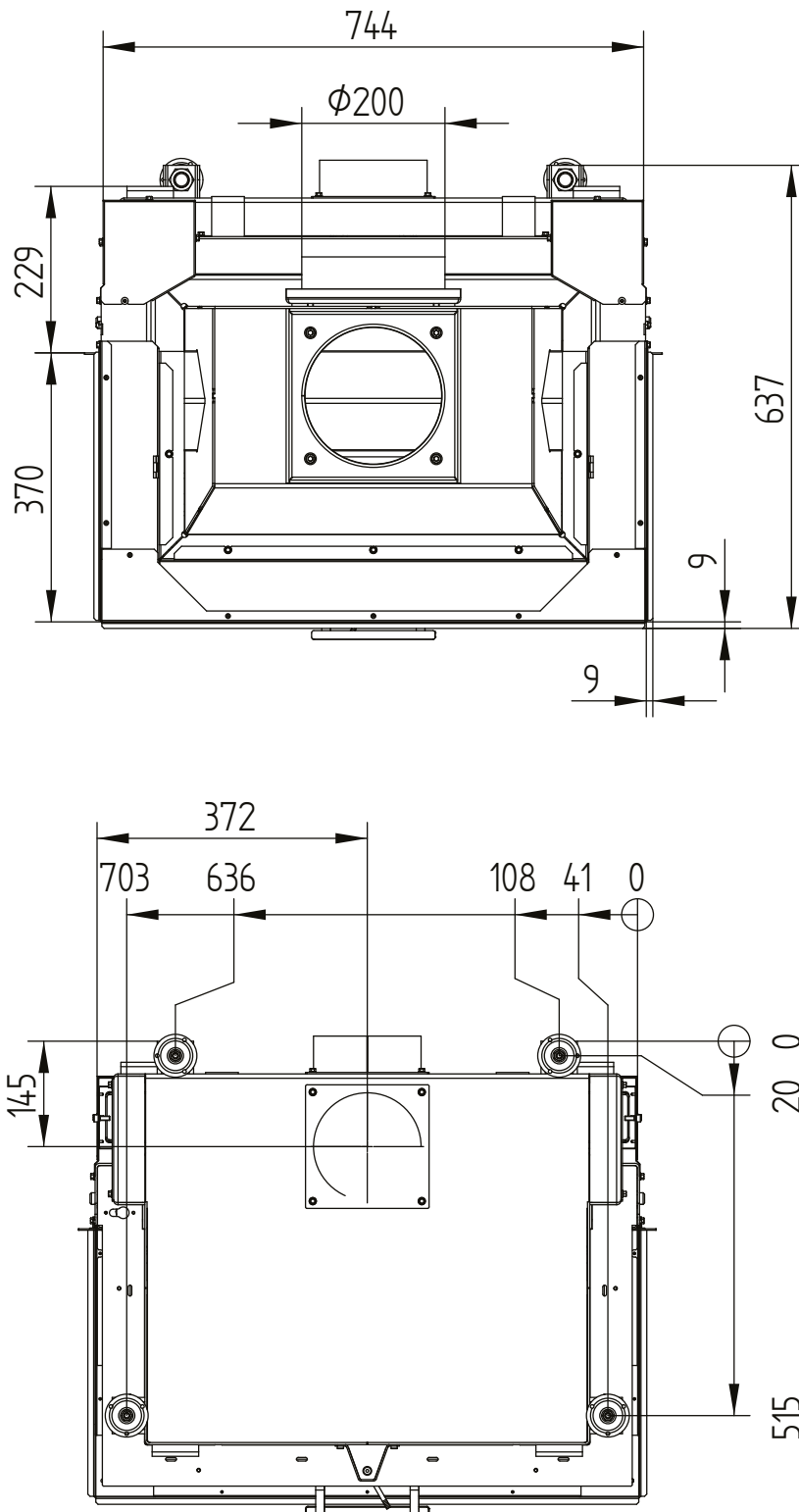


UKA 37/75/37/57

Technical data
Version 2019/08

air connection / feet

M 1:10

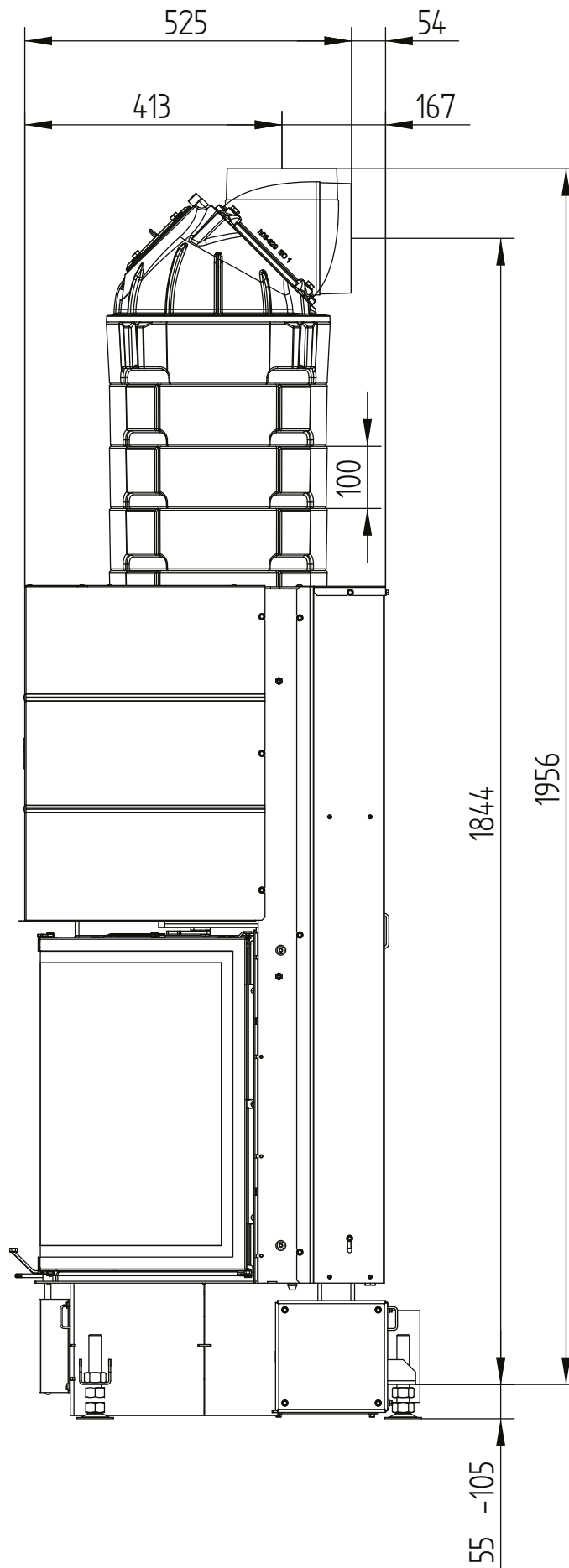


UKA 37/75/37/57

Technical data
Version 2019/08

S-accumulation rings

M 1:10

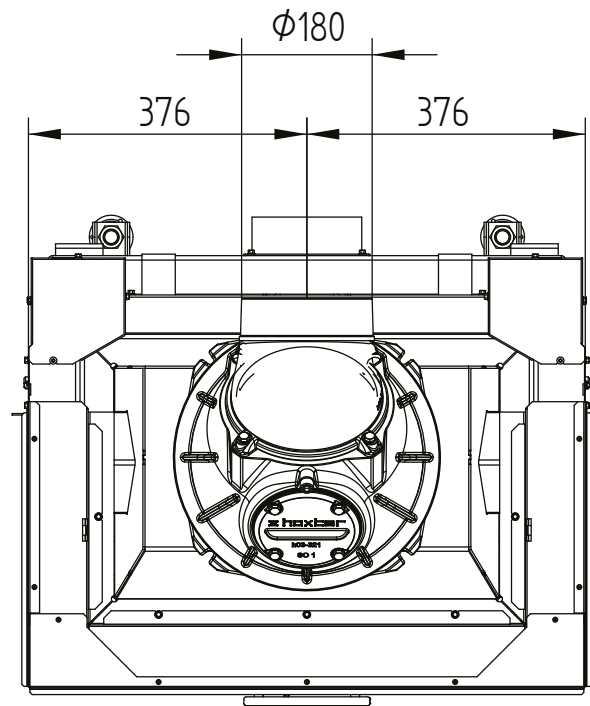


UKA 37/75/37/57

Technical data
Version 2019/08

S-accumulation rings

M 1:10

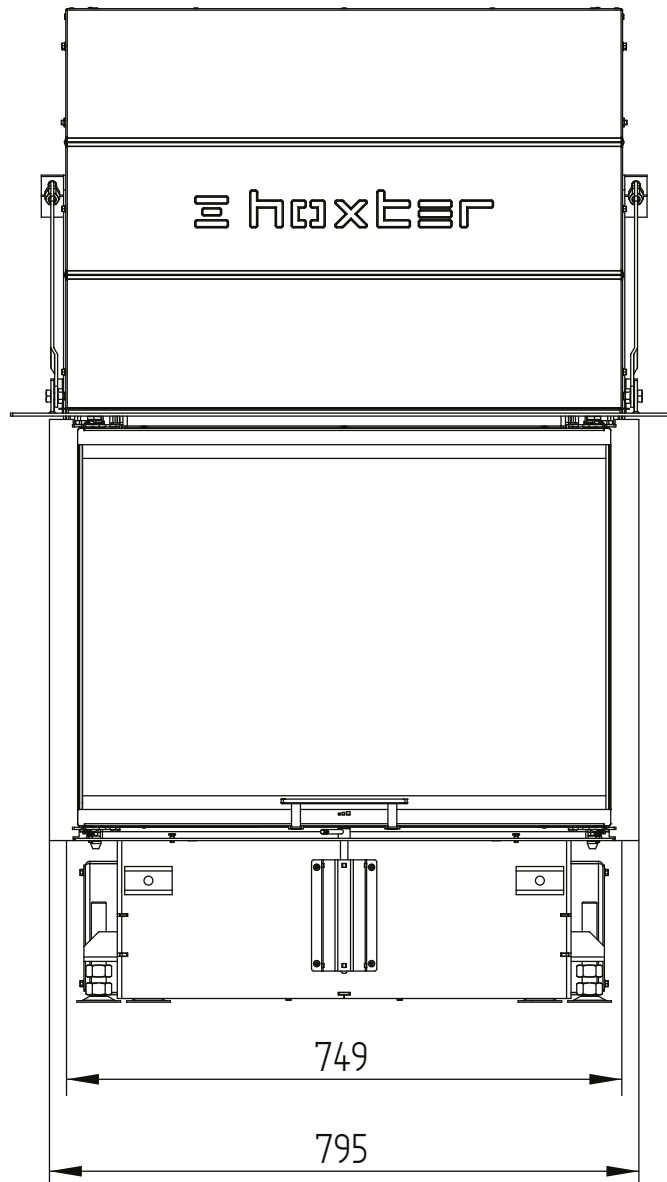


UKA 37/75/37/57

Technical data
Version 2019/08

supporting construction incl. build-on frame 3sides 70 mm

M 1:10

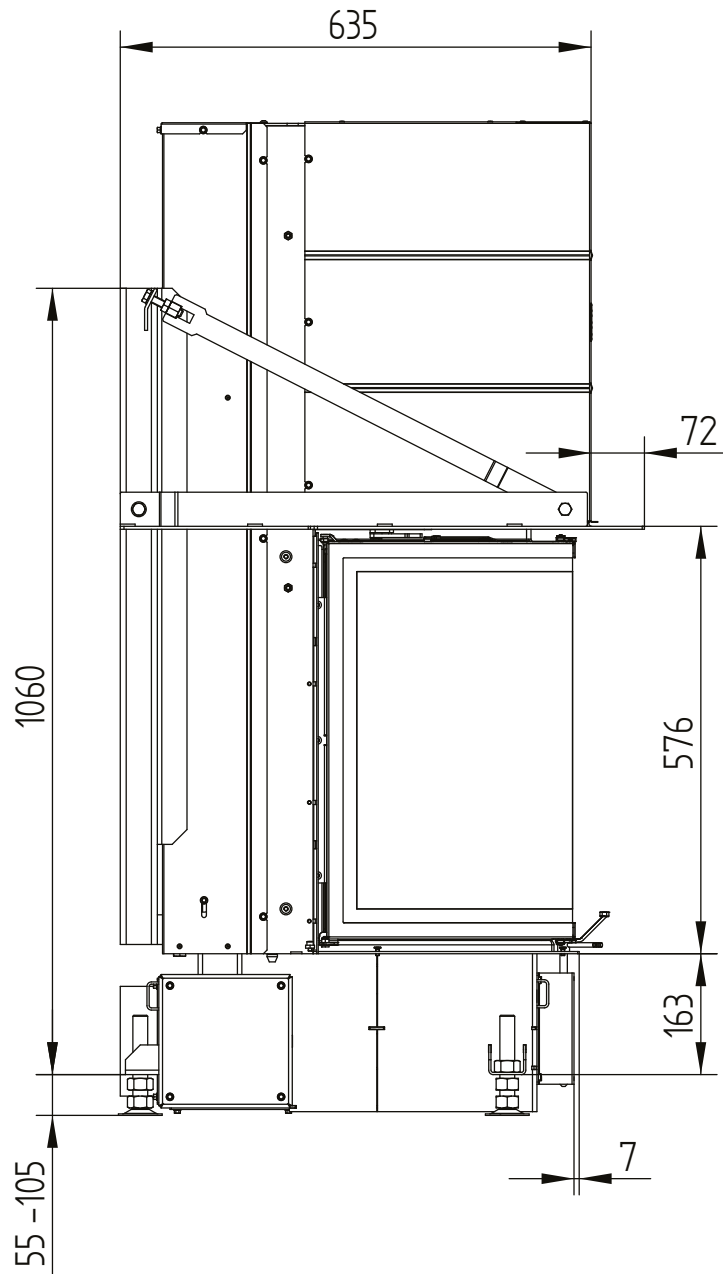


UKA 37/75/37/57

Technical data
Version 2019/08

supporting construction incl. build-on frame 3sides 70 mm

M 1:10

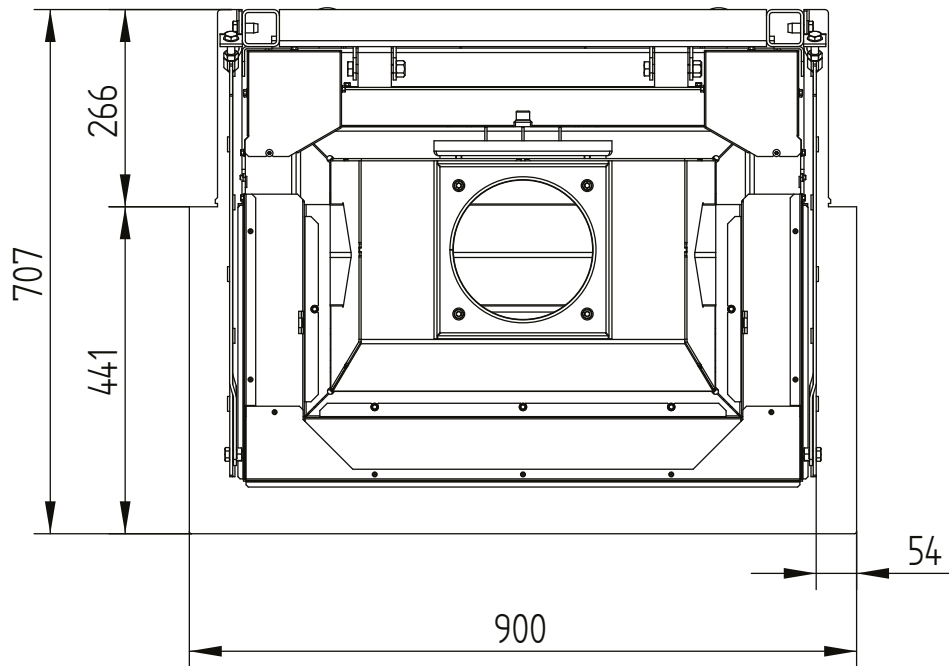


UKA 37/75/37/57

Technical data
Version 2019/08

supporting construction incl. build-on frame 3sides 70 mm

M 1:10

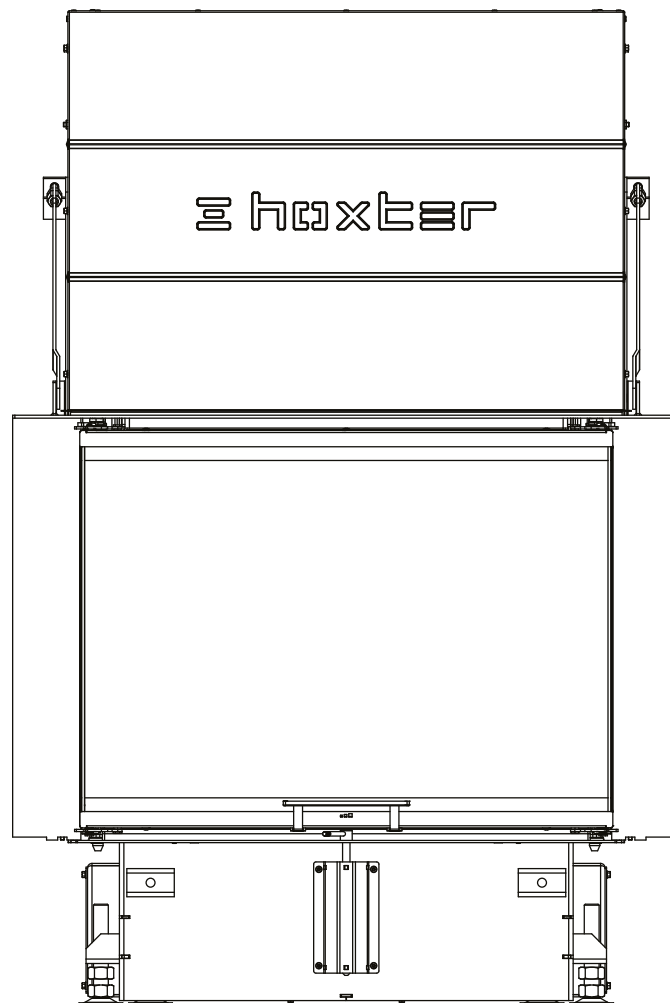


UKA 37/75/37/57

Technical data
Version 2019/08

supporting construction incl. build-on frame 5sides 70 mm

M 1:10

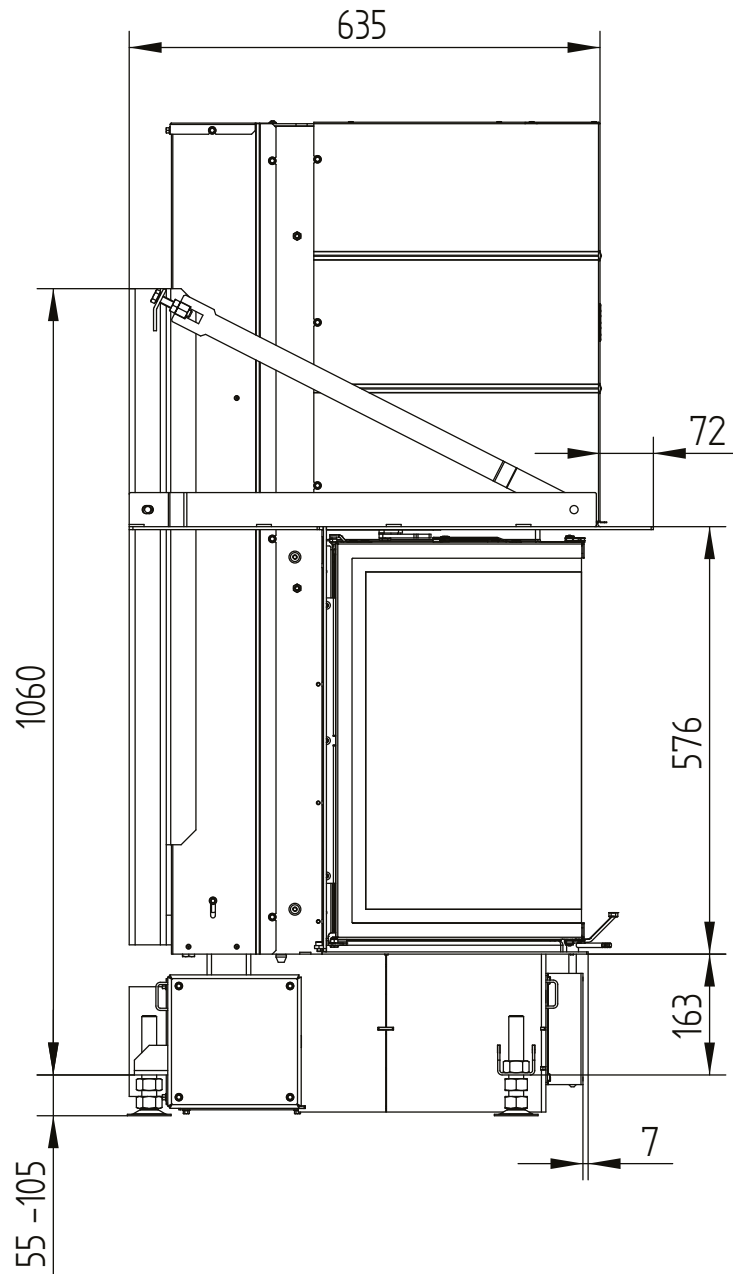


UKA 37/75/37/57

Technical data
Version 2019/08

supporting construction incl. build-on frame 5sides 70 mm

M 1:10

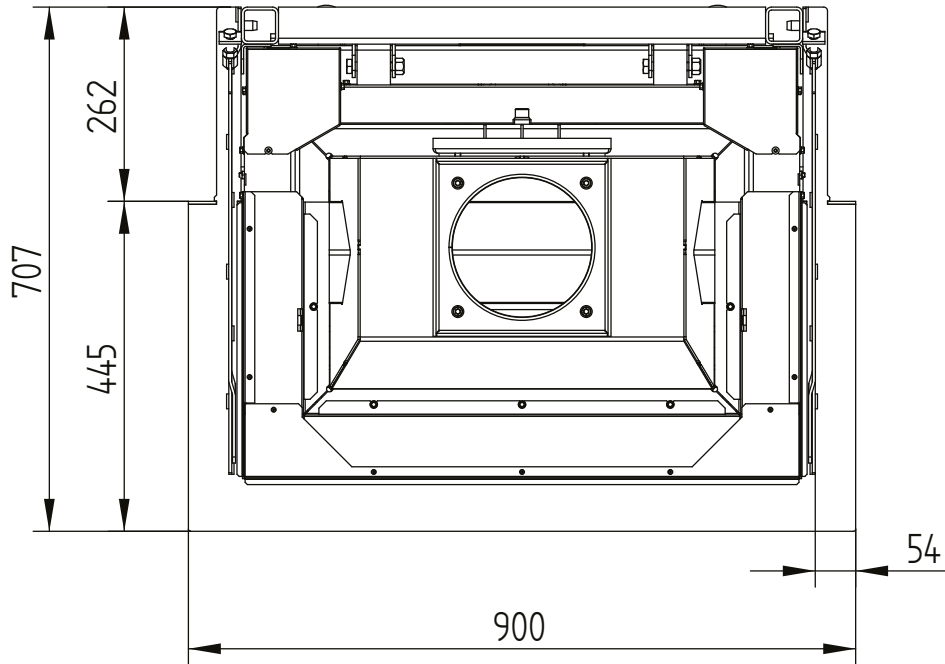


UKA 37/75/37/57

Technical data
Version 2019/08

supporting construction incl. build-on frame 5sides 70 mm

M 1:10

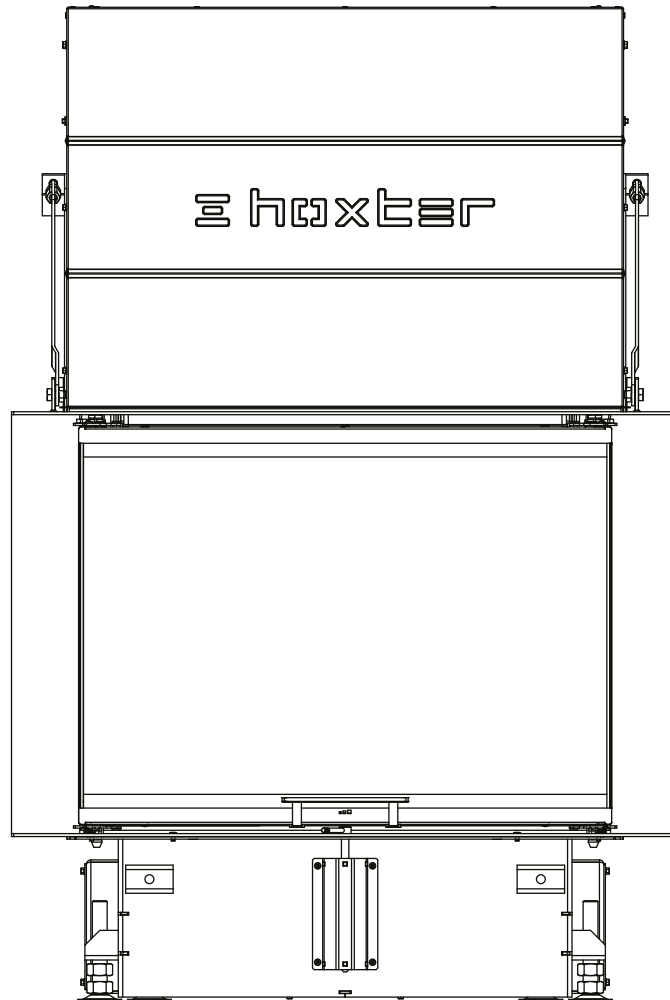


UKA 37/75/37/57

Technical data
Version 2019/08

supporting construction incl. build-on frame 8sides 70 mm

M 1:10

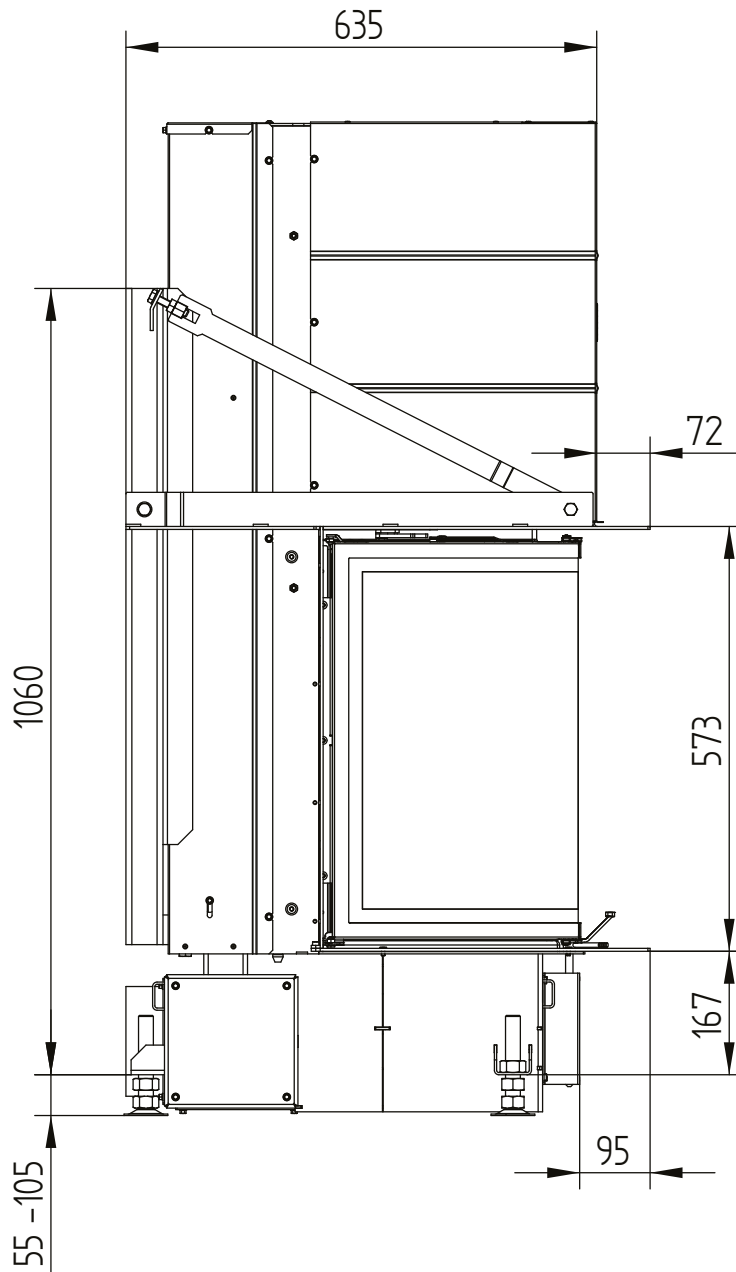


UKA 37/75/37/57

Technical data
Version 2019/08

supporting construction incl. build-on frame 8sides 70 mm

M 1:10



UKA 37/75/37/57

Technical data
Version 2019/08

supporting construction incl. build-on frame 8sides 70 mm

M 1:10

