

| General technical information | |
|--|-----------------------|
| Recommended wood load | 10 kg |
| Maximum cross-section of the supply air connection | 220 cm ² |
| Combustion air connection | 2 × Ø 125 mm |
| Free glass area | 1 148 cm ² |

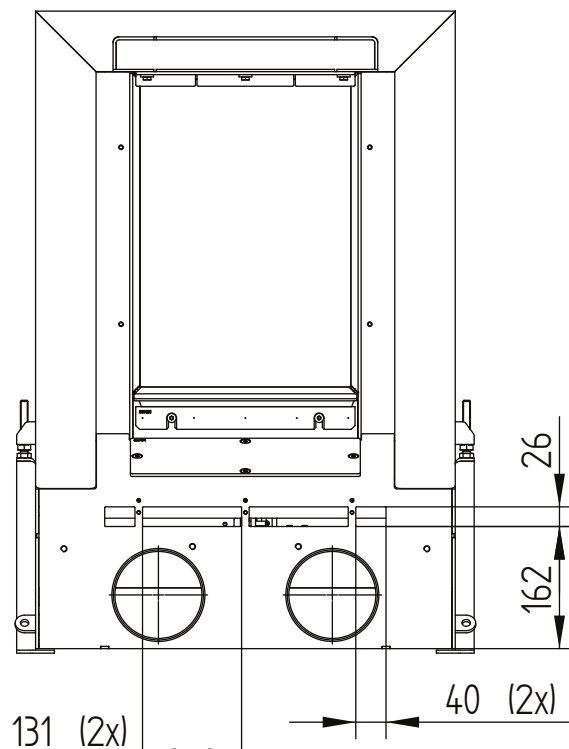
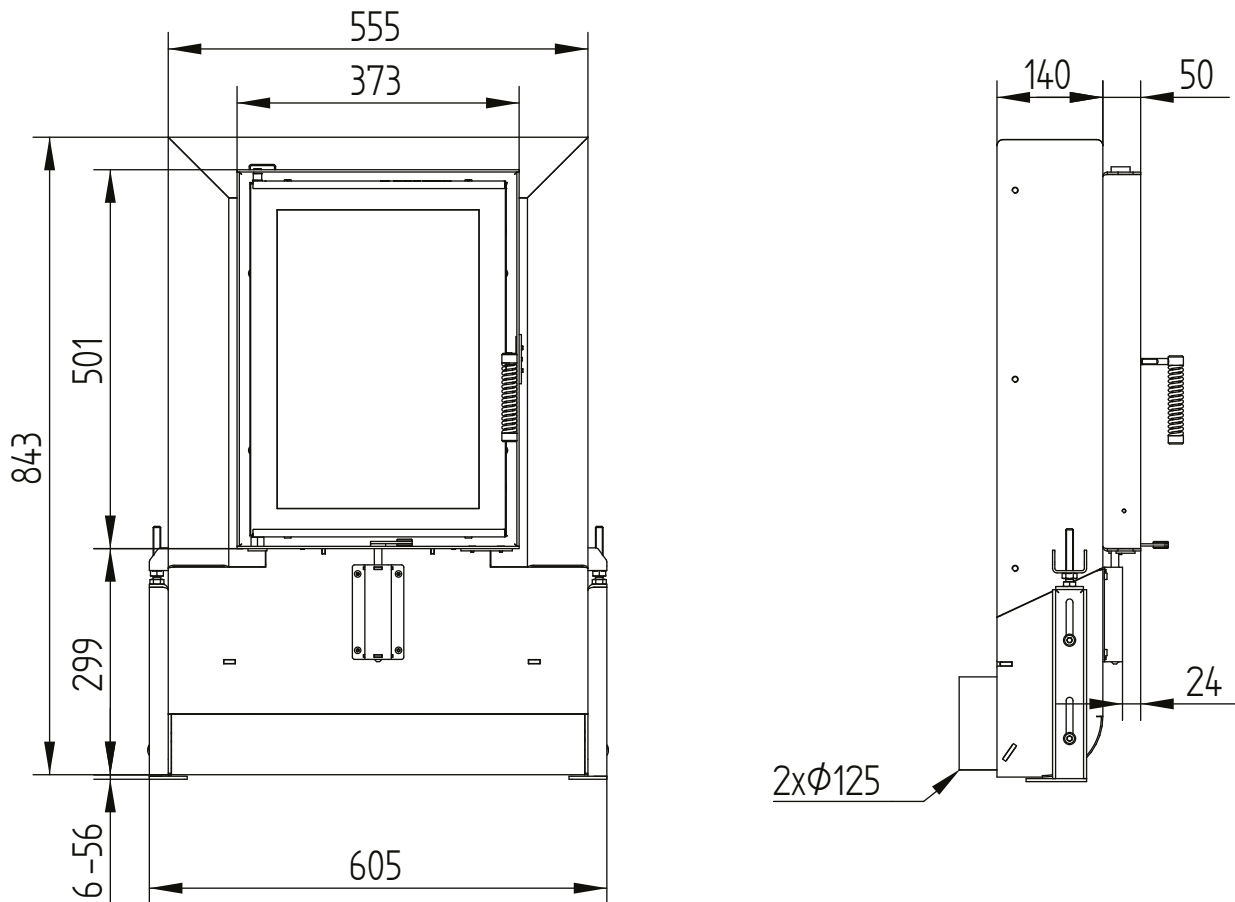
| Load of wood | Air flow | | Pressure drop |
|--------------|-------------------------|-------------------------|---------------|
| 3 kg | 28,2 m ³ /h | 0,008 m ³ /h | 0,4 Pa |
| 4 kg | 37,6 m ³ /h | 0,010 m ³ /h | 0,7 Pa |
| 5 kg | 47,0 m ³ /h | 0,013 m ³ /s | 1,1 Pa |
| 6 kg | 56,3 m ³ /h | 0,016 m ³ /s | 1,6 Pa |
| 7 kg | 65,7 m ³ /h | 0,018 m ³ /s | 2,3 Pa |
| 8 kg | 75,1 m ³ /h | 0,021 m ³ /s | 3,0 Pa |
| 9 kg | 84,5 m ³ /h | 0,023 m ³ /s | 3,8 Pa |
| 10 kg | 93,9 m ³ /h | 0,026 m ³ /s | 4,8 Pa |
| 11 kg | 103,3 m ³ /h | 0,029 m ³ /s | 5,8 Pa |
| 12 kg | 112,7 m ³ /h | 0,031 m ³ /s | 7,0 Pa |
| 15 kg | 140,9 m ³ /h | 0,039 m ³ /s | 11,2 Pa |
| 20 kg | 187,8 m ³ /h | 0,052 m ³ /s | 20,2 Pa |

GT2 37/50

Technical data
Version 2019/08

air connection

M 1:10

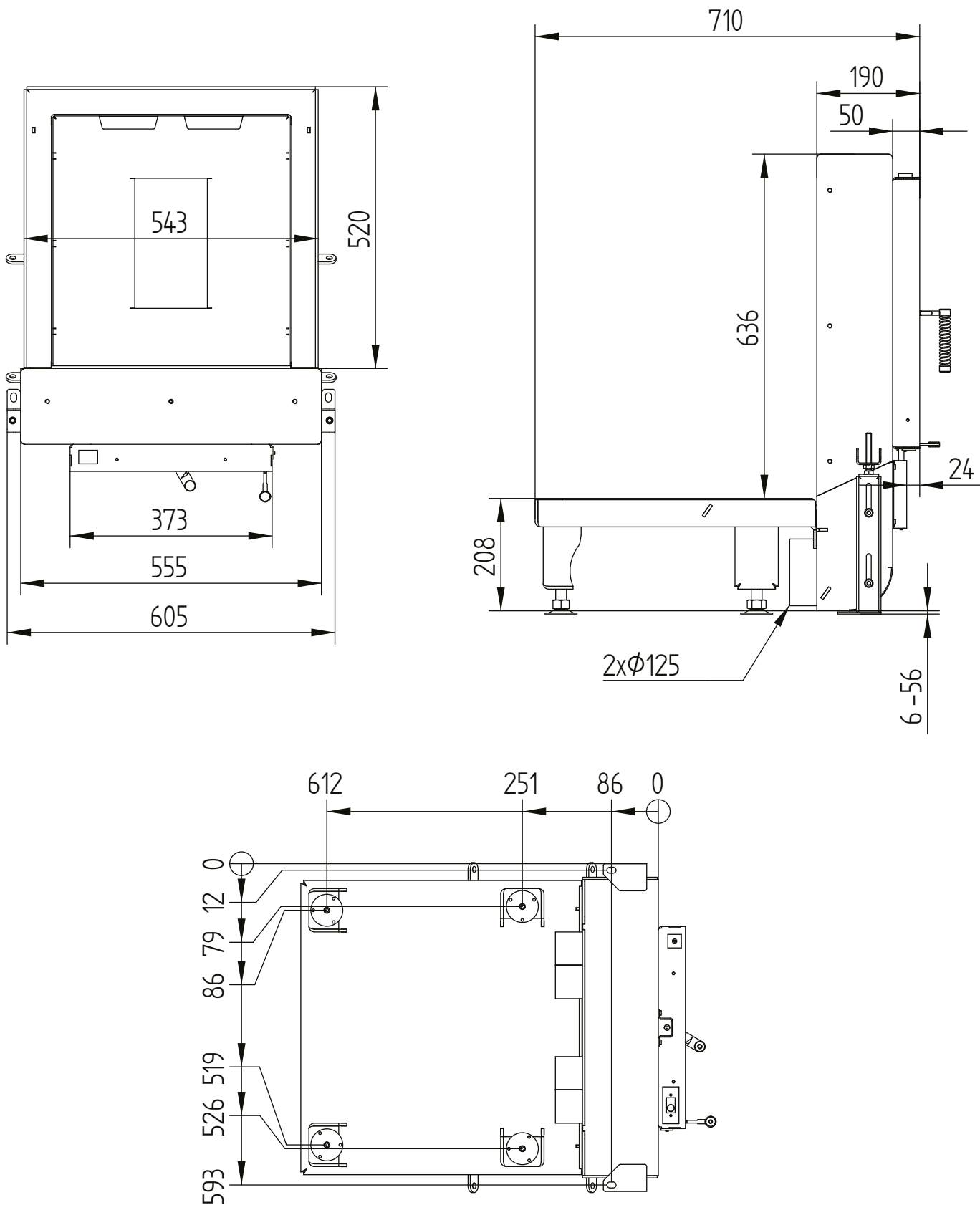


GT2 37/50

Technical data
Version 2019/08

with base / feet

M 1:10

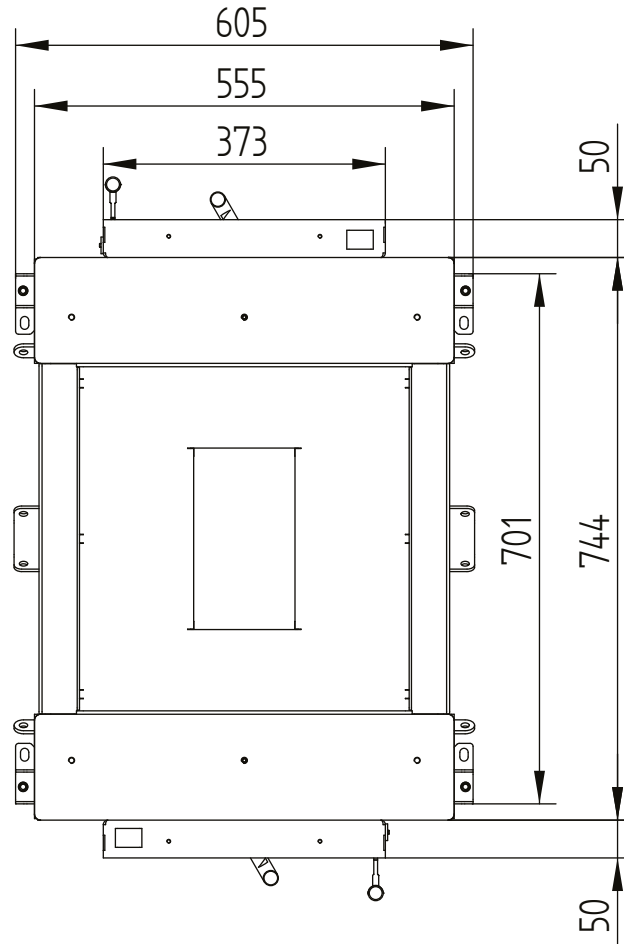


GT2 37/50

Technical data
Version 2019/08

with base for tunnel execution

M 1:10

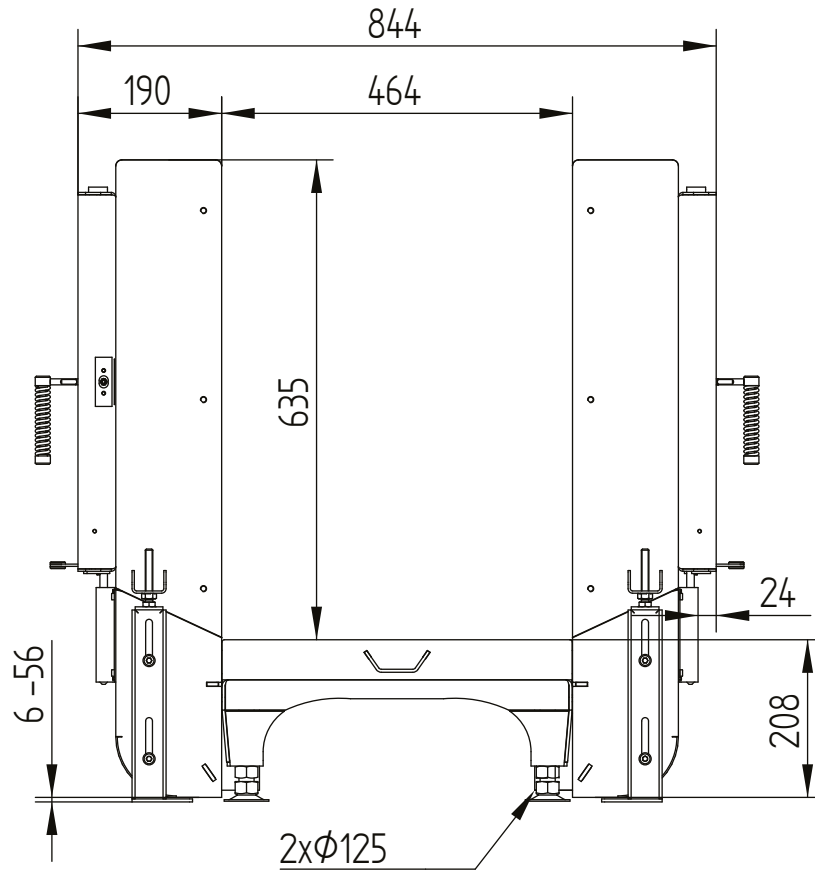


GT2 37/50

Technical data
Version 2019/08

with base for tunnel execution

M 1:10

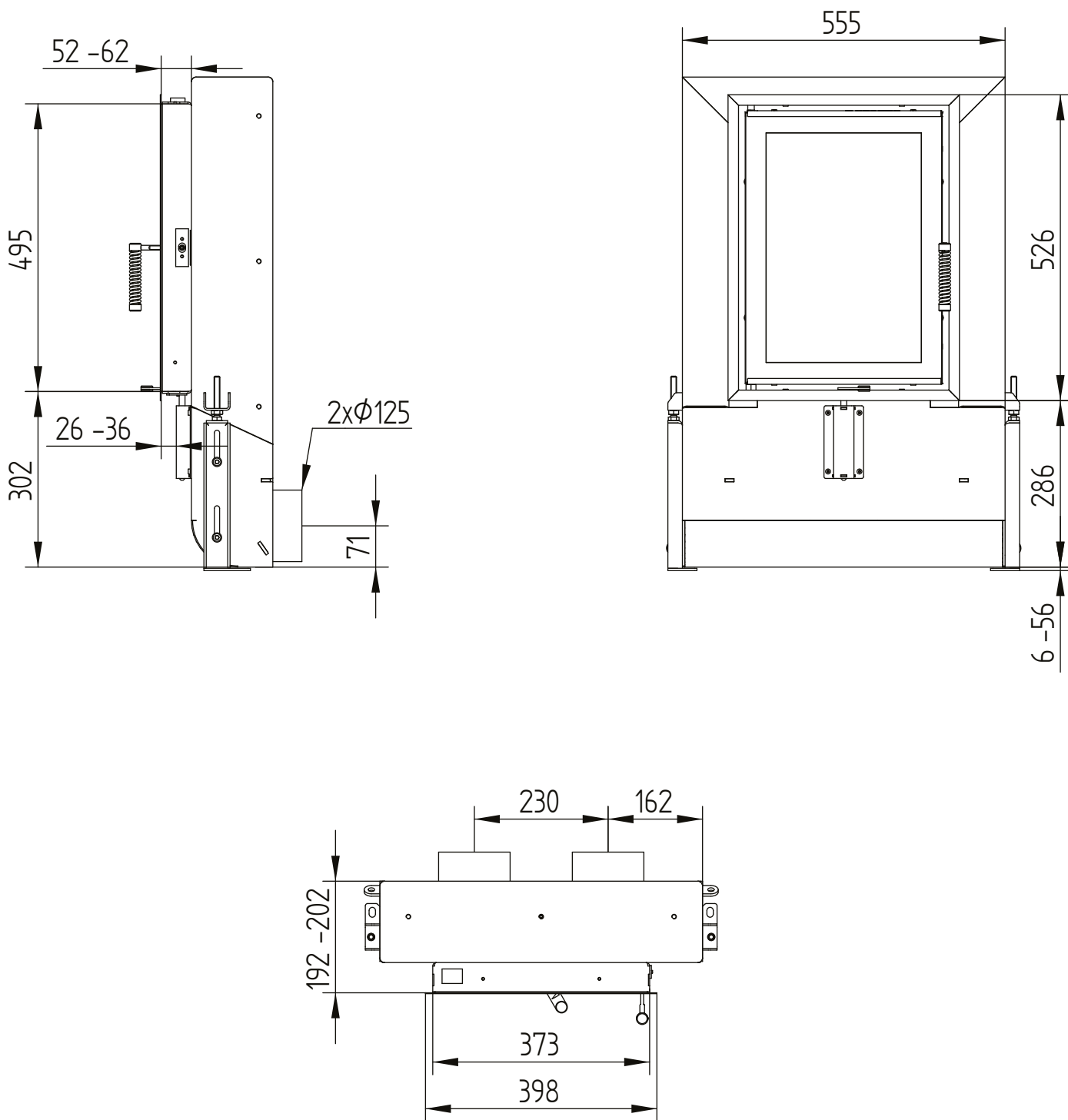


GT2 37/50

Technical data
Version 2019/08

cover frame 37/50 4sides 50 mm 1 x 90°

M 1:10



GT2 37/50

Technical data
Version 2019/08

cover frame 37/50 4sides 80 mm 2 x 45°

M 1:10

